

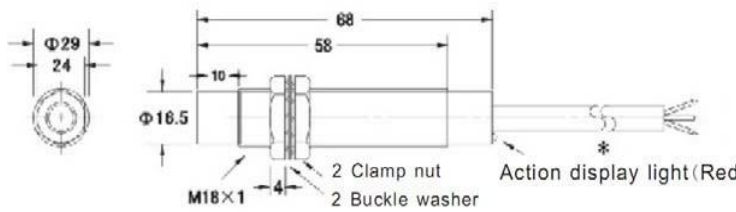
# PROXIMITY INDUCTIVE 18EZ

*Model:LJ18A3-8-J/EZ*



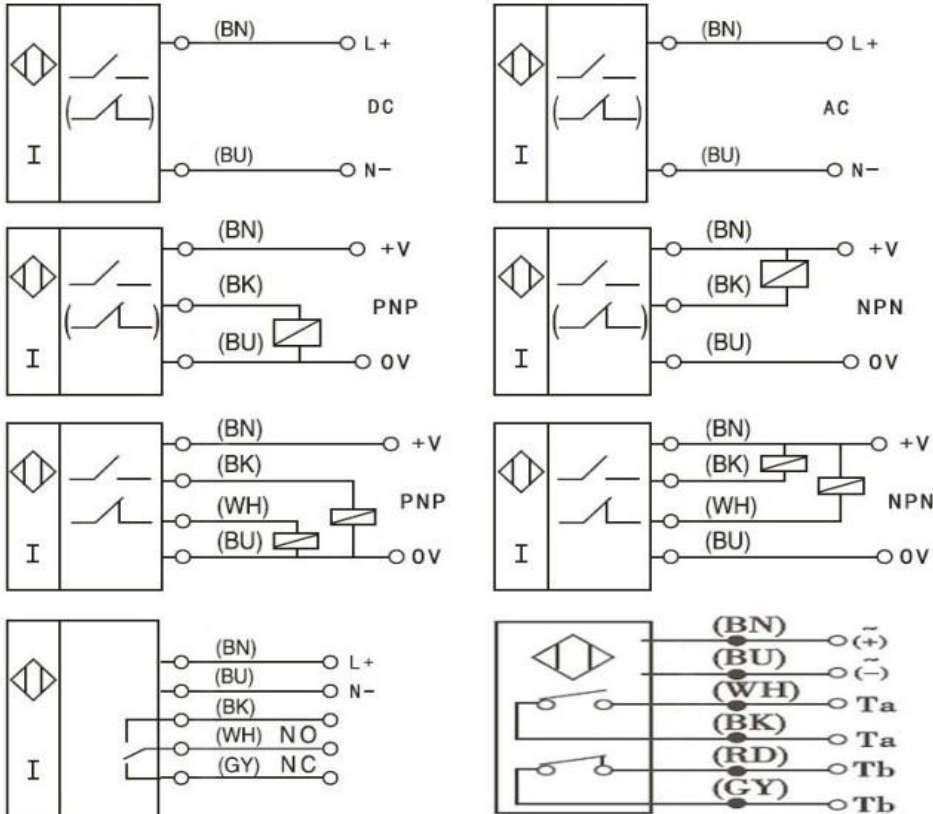
## Specifications:

Product Name	Inductive Proximity Switch
Model	LJ18A3-8-J/EZ
Theory	Inductive Sensor
Wire Type	2 Wire Type (Brown, Blue)
Switch Appearance Type	Cylinder Type, Metallic Shell
Output Type	NO (Normal Open)
Detection Distance	8mm +/- 10%
Electrical Voltage	90-250V AC
Set Distance	0~7mm
Output Current (max)	400mA
Detect objects	Iron
Standard Detection Object	Iron 30x30x1 mm
Response Frequency	DC 0.5kHz , AC 25Hz
Column Sensor Diameter	18mm
Thread Diameter	18mm
Total Size	18x68mm
Cable Length	1.1 m
External Material	Plastic, Metal

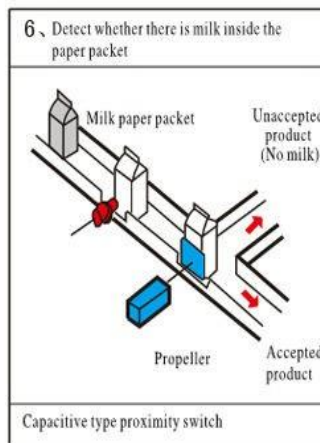
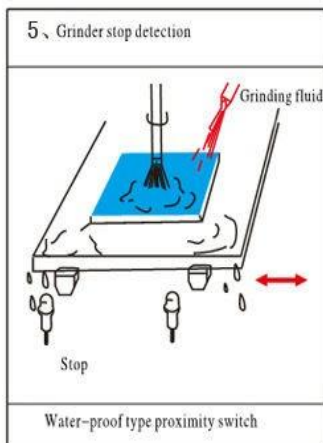
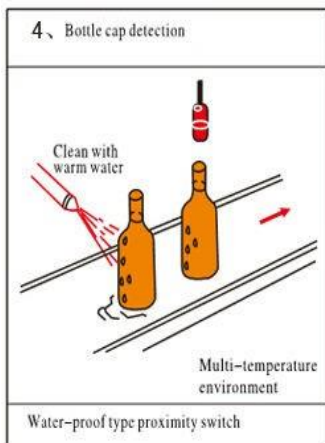
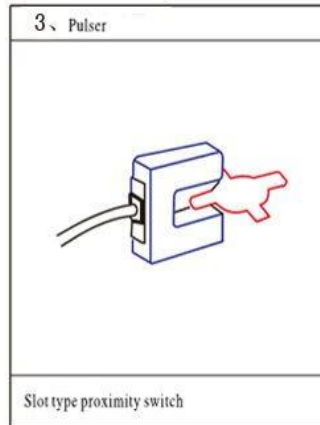
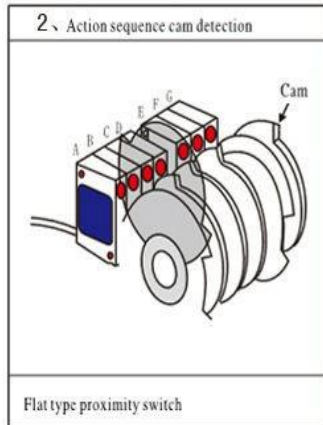
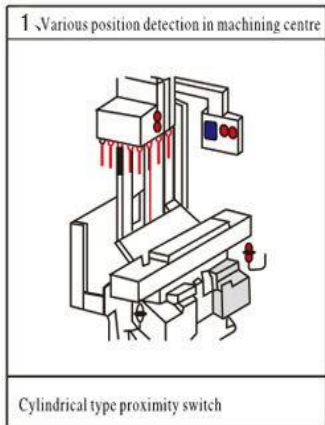
<b>Dimension</b>	<b>M18</b>
<b>Detection Distance</b>	<b>8mm</b>
<b>Dimensional Drawing</b>	

<b>Model</b>	<b>DC Type</b>	<b>NPN</b>	<b>NO</b>	<b>LJ18A3-8-Z/BX</b>
			<b>NC</b>	<b>LJ18A3-8-Z/AX</b>
		<b>PNP</b>	<b>NO+NC</b>	<b>LJ18A3-8-Z/CX</b>
			<b>NO</b>	<b>LJ18A3-8-Z/BY</b>
			<b>NC</b>	<b>LJ18A3-8-Z/AY</b>
			<b>NO+NC</b>	<b>LJ18A3-8-Z/CY</b>
		<b>Two-wire</b>	<b>NO</b>	<b>LJ18A3-8-Z/EX</b>
			<b>NC</b>	<b>LJ18A3-8-Z/DX</b>
	<b>AC Type</b>	<b>Two-wire</b>	<b>NO</b>	<b>LJ18A3-8-J/EZ</b>
			<b>NC</b>	<b>LJ18A3-8-J/DZ</b>
		<b>Three-wire</b>	<b>NO+NC</b>	<b>LJ18A3-8-J/EDZ</b>

***Installation:***



## Applications legend:



*Made in China*